

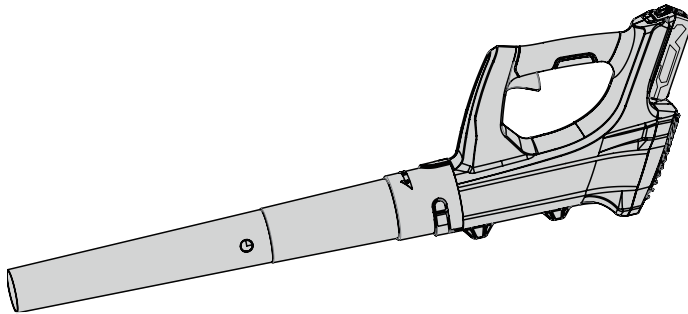
---



**greenworks™**

**24V LITHIUM-ION AXIAL BLOWER**

**2400702**



**Owner's Manual**

**TOLL-FREE HELPLINE: 1-888-90WORKS (888.909.6757)**

[www.GreenWorksTools.com](http://www.GreenWorksTools.com)

---

**⚠** Read all safety rules and instructions carefully before operating this tool.

# CONTENTS

---

Contents .....	2
Product specifications.....	2
General safety rules .....	3-5
Symbols.....	6-7
Know your blower .....	8
Assembly instruction.....	9-12
Operation.....	13
Maintenance.....	15
Environmentally safe battery disposal.....	18
Troubleshooting.....	19
Warranty.....	20
Exploded View .....	21
Parts List.....	22

## PRODUCT SPECIFICATIONS

### 24V CORDLESS BRUSHED AXIAL BLOWER

Type.....	Cordless, battery-operated
Motor .....	24V
Air volume.....	330 CFM
Air speed.....	100MPH
Charging time.....	4 Hours
Noise rating(ANSI).....	<65 dBA
Weight (without battery) .....	3.3 lbs. (1.5 kg)
Weight (with battery) .....	4.4lbs. (2.0 kg)



# GENERAL SAFETY RULES

---

## **WARNING**

**Read and understand all instructions before using this product.** Failure to follow all instructions listed below may result in electric shock, fire, and/or serious personal injury.

---

### **IMPORTANT SAFETY INSTRUCTIONS**

When using an electrical appliance, basic precautions should always be followed, including the following:

#### **READ ALL INSTRUCTIONS**

##### **BEFORE USING (THIS APPLIANCE)**

- Use extra care when cleaning on stairs.
- Do not use on outdoors or on wet surfaces.
- Do not allow to be use as a toy. Close attention is necessary when used by or near children.
- Use only as described in this manual. Use only manufacturer's recommended attachments.
- Keep hair, loose clothing, fingers and all body parts away from openings and moving parts.
- Do not use with a damaged plug. If the tool is not working as it should, or if it has been dropped, damaged, left outdoors, or dropped into water, return it to an authorized service centre.
- Do not use to pick up flammable or combustible liquids, such as gasoline, or use in areas where they may be present.
- Do not pull or carry by the cord, use the cord as a handle, close a door on a cord, or pull the cord around sharp edges or corners. Do not run appliances over the cord. Keep the cord away from heated surfaces.
- Do not unplug by pulling on the cord. To unplug, grasp the plug, not the cord.
- Do not handle the plug or any other appliances with wet hands.

##### **WHEN USING (THIS APPLIANCE)**

- Do not operate power tools in an explosive atmosphere, such as in the presence of flammable liquids, gases, or dust. Power tools create sparks that may ignite the dust or fumes.
- To reduce the risk of electric shocks, the battery charger has a polarized plug (one blade is wider than the other) and will require the use of a polarized extension cord. The plug will only fit into a polarized extension cord one way. If the plug does not fit fully into the extension cord, reverse the plug. If the plug still does not fit, obtain a correct polarized extension cord. A polarized extension cord will require the use of a polarized wall outlet. This plug will only fit into the polarized wall outlet one way. If the plug does not fit fully into the wall outlet, reverse the plug. If the plug still does not fit, contact a qualified electrician to install the proper wall outlet. Do not change the equipment plug, extension cord receptacle, or extension cord plug in any way.
- Do not expose power tools to rain or wet conditions. Water entering a power tool will increase the risk of electric shock--Store indoors.
- Never allow children to operate the equipment. Never allow adults to operate the equipment without proper instruction.
- Wear eye protection that is marked to comply with ANSI Z87.1 when operating this product.
- Wear hearing protection.
- Wear heavy long pants, boots, and gloves. Avoid loose garments or jewellery that could get caught in moving parts of the machine or its motor.

# GENERAL SAFETY RULES

---

- Do not force the tool. Use the correct tool for your application. The correct tool will work more efficiently and safely when it is used at the rate that it was designed to work at.
- Do not operate the equipment while barefoot or when wearing sandals or similar lightweight footwear. Wear protective footwear that will protect your feet and improve your footing on slippery surfaces.
- Secure long hair so it is above shoulder level to prevent entanglement in any moving parts.
- Keep firm footing and balance. Do not overreach. Overreaching can result in loss of balance.
- Do not allow children or untrained individuals to use this unit.
- Do not use the tool if the switch does not turn it on or off. Any tool that cannot be controlled with the switch is dangerous, and must be repaired.
- Keep all bystanders, children, and pets at least 50' (15 m) away.
- For household use only.
- Use only Greenworks batteries (Model #29842.)
- Use only Greenworks charger (Model #29862.)
- Do not operate this unit when you are tired, ill, or under the influence of alcohol, drugs, or medication.
- Do not operate in poor lighting.
- Keep all parts of your body away from any moving parts and all hot surfaces of the unit.
- Do not put any object into openings. Do not use with any opening blocked. Keep openings free of dust, lint, hair, and anything that may reduce air flow.
- Check the work area before each use. Remove all objects that can be thrown or become entangled in the machine, such as rocks, broken glass, nails, wire, or string.
- Use only identical manufacturer's replacement parts and accessories. Use of any other parts may create a hazard or cause product damage.

## FOR BATTERY-OPERATED APPLIANCE:

- Prevent unintentional starting. Ensure the switch is in the off-position before connecting to battery pack, picking up or carrying the appliance. Carrying the appliance with your finger on the switch or energizing appliance that have the switch on invites accidents.
- Disconnect the battery pack from the appliance before making any adjustments, changing accessories, or storing appliance. Such preventive safety measures reduce the risk of starting the appliance accidentally.

Exception: This instruction is not applicable for batteries that cannot be disconnected from the appliance in normal use.

- Recharge only with the charger specified by the manufacturer. A charger that is suitable for one type of battery pack may create a risk of fire when used with another battery pack.
- Use appliances only with specifically designated battery packs. Use of any other battery packs may create a risk of injury and fire.
- When battery pack is not in use, keep it away from other metal objects, like paper clips, coins, keys, nails, screws or other small metal objects, that can make a connection from one terminal to another. Shorting the battery terminals together may cause burns or a fire.
- Under abusive conditions, liquid may be ejected from the battery; avoid contact. If contact accidentally occurs, flush with water. If liquid contacts eyes, additionally seek medical help. Liquid ejected from the battery may cause irritation or burns. (This advice is considered correct for conventional NiMh, NiCd, lead acid and lithium-ion cell types. If this advice is incorrect for a cell design that differs from these, then the correct advice may be substituted.)
- Do not use a battery pack or appliance that is damaged or modified. Damaged or modified batteries may exhibit unpredictable behavior resulting in fire, explosion or risk of injury.

# GENERAL SAFETY RULES

---

- Do not expose a battery pack or appliance to fire or excessive temperature. Exposure to fire or temperature above 130°C may cause explosion. The temperature of 130°C can be replaced by the temperature of 265°F.
- Have servicing performed by a qualified repair person using only identical replacement parts. This will ensure that the safety of the product is maintained.

## SAVE THESE INSTRUCTIONS

## CHILD SAFETY

Tragic accidents can occur if the operator is not aware of the presence of children.

- Keep children out of the working area and under the watchful care of a responsible adult.
- Do not allow children under the age of 14 to operate this blower. Children who are 14 years of age and older must read and understand the operating instructions and safety rules in this manual and must be trained and supervised by a parent.
- Stay alert, and turn the blower off if a child or any other person enters the working area.
- Use extreme care when approaching blind corners, doorways, shrubs, trees, or other objects that may obscure your view of a child who may run into the path of the blower.

---

## **WARNING (PROPOSITION 65)**

Some dust created by power sanding, sawing, grinding, drilling, and other construction activities contains chemicals known to cause cancer, birth defects or other reproductive harm. Some examples of these chemicals are:











- Lead from lead-based paints
- Crystalline silica from bricks and cement and other masonry products, and
- Arsenic and chromium from chemically treated lumber.

Your risk of exposure to these chemicals varies depending on how often you do this type of work. To reduce your exposure to these chemicals, work in a well-ventilated area, and work with approved safety equipment, such as dust masks that are specially designed to filter out microscopic particles.

---

# SYMBOLS




Some of the following symbols may be used on this product. Please study them and learn their meaning. Proper interpretation of these symbols will allow you to operate the product better and safer.

SYMBOL	NAME	DESIGNATION/EXPLANATION
V	Volts	Voltage
A	Amperes	Current
W	Watts	Power
min	Minutes	Time
—	Direct Current	Type or a characteristic of current
/min	Per Minute	Revolutions, strokes, surface speed, orbits etc., per minute
	Wet Conditions Alert	Do not expose to rain or use in damp locations
	Read The Operator's Manual	To reduce the risk of injury user must read and understand operator's manual before using this product.
	Wear Eye Protection	Wear eye protection when operating this equipment.
	Wear Ear Protection	Wear ear protection when operating this equipment.
	Safety Alert	Precautions that involve your safety.
	Long Hair	Failure to keep long hair away from the air inlet could result in personal injury.
	Loose Clothing	Failure to keep loose clothing from being drawn into air intake could result in personal injury.
	Keep Bystanders Away	Keep all bystanders at least 50 ft. away.
	Blower Tubes	Do not operate without tubes in place.
	Impeller Blades	Rotating impeller blades can cause severe injury.

# SYMBOLS

---

The following signal words and meanings are intended to explain the levels of risk associated with this product.

SYMBOL	SIGNAL	MEANING
	<b>DANGER</b>	Indicates an imminently hazardous situation, which, if not avoided, will result in death or serious injury.
	<b>WARNING</b>	Indicates a potentially hazardous situation, which, if not avoided, could result in death or serious injury.
	<b>CAUTION</b>	Indicates a potentially hazardous situation, which, if not avoided, may result in minor or moderate injury.
	<b>CAUTION</b>	(Without Safety Alert Symbol) Indicates a situation that may result in property damage.

## SERVICE

Tool service must be performed only by qualified repair personnel. Service or maintenance performed by unqualified personnel may result in a risk of injury. Please call (855) 378-6903 for customer support.

---

### **W A R N I N G**

To avoid serious personal injury, do not attempt to use this product until you have read this Owner's Manual thoroughly and understand it completely. If you do not understand the warnings and instructions in this Owner's Manual, do not use this product. Call the Toll-free Helpline (1-888-909-6757) for assistance. The operation of any power tool can result in foreign objects being thrown into your eyes, which can result in severe eye damage. Before operating a power tool, always wear safety goggles, safety glasses with side shields, or a full face shield when needed. We recommend a Wide Vision Safety Mask for use over eyeglasses or standard safety glasses with side shields. Always use eye protection that is marked to comply with ANSI Z87.1.

---

### **W A R N I N G**



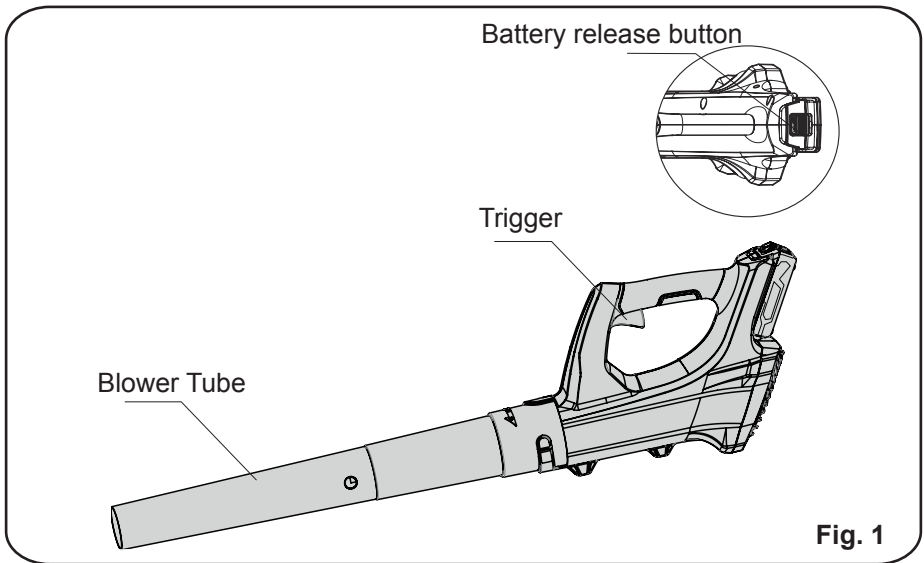
The operation of any power tool can result in foreign objects being thrown into your eyes, which can result in severe eye damage. Before beginning power tool operation, always wear safety goggles or safety glasses with side shields and, when needed, a full face shield. We recommend Wide Vision Safety Mask for use over eyeglasses or standard safety glasses with side shields. Always use eye protection which is marked to comply with ANSI Z87.1.

---

## SAVE THESE INSTRUCTIONS

# KNOW YOUR BLOWER

---



## **KNOW YOUR BLOWER** (See Figure 1.)

The safe use of this product requires an understanding of the information on the product and in this operator's manual as well as a knowledge of the project you are attempting. Before use of this product, familiarize yourself with all operating features and safety rules.

### **BLOWER TUBE**

The blower tube can be easily installed on the blower without any additional tools.

### **TRIGGER**

Starts/Stops the flow of air through the blower.

### **BATTERY RELEASE BUTTON**

Releases the battery pack from the blower.



# ASSEMBLY INSTRUCTION

---

## UNPACKING

This product requires assembly.

- Carefully remove the product and any accessories from the box. Make sure that all items listed in the package contents section are included.
- Inspect the product carefully to make sure no breakage or damage occurred during shipping.
- Do not discard the packing material until you have carefully inspected and satisfactorily operated the product.
- If any parts are damaged or missing, please call 1.888.909.6757 for assistance.

## PACKING LIST

- Blower
- Blower Tube
- Owner's Manual
- Battery
- Charger

---

### **WARNING**

If any parts are damaged or missing, do not operate this product until the parts are replaced. Using a product with damaged or missing parts could result in serious personal injury.

---

---

### **WARNING**

Do not attempt to modify this product or create accessories not recommended for use with this product. Any such alteration or modification is misuse and could result in a hazardous condition leading to possible serious personal injury.

---

---

### **WARNING**

Do not insert the battery until assembly is complete. Failure to comply could result in accidental starting and possible serious personal injury.

---

# ASSEMBLY INSTRUCTION

---

## BATTERY

**IMPORTANT!** The battery pack is not charged when it is purchased. Before using the blower for the first time, place the battery pack in the battery charger and charge. Make sure to read all safety precautions, and follow the instructions in the Battery Charger section.

**To remove** (See Figure 2.)

1. Press and hold the latch button (1).
2. Grasp the handle firmly. Pull the battery pack out of the handle.

*NOTE:* The battery pack fits into the handle snugly in order to prevent accidental dislodging. It may require a strong pull to remove it.

**To install** (See Figure 2.)

1. Align the tongue (3) of the battery pack with the cavity in the handle housing.
2. Grasp the handle firmly (2).
3. Push the battery pack into the handle until both sides lock. The latch button will click when locked into place.
4. Do not use force when inserting the battery pack. It should slide into place and click.

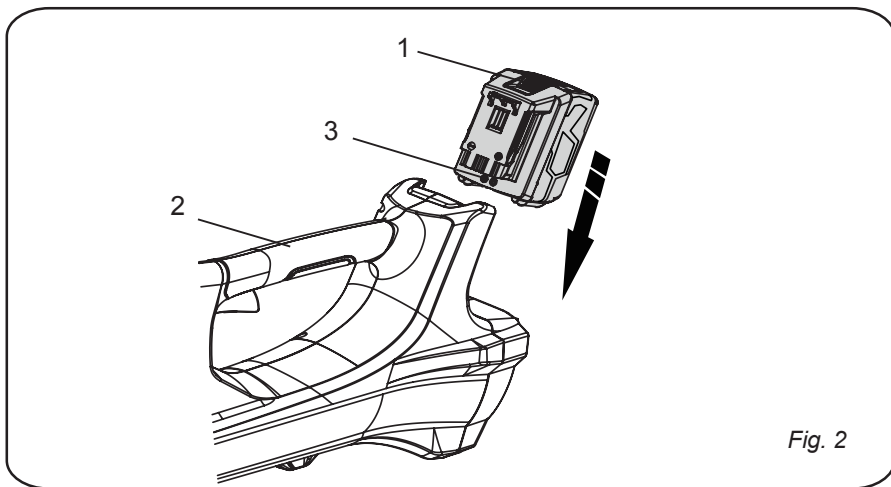


Fig. 2

---

## **⚠ WARNING**

Follow these instructions in order to avoid injury and to reduce the risk of electric shock or fire:

- Replace the battery pack or the charger immediately if the battery case or charger cord is damaged.
  - Verify that the switch is in the OFF position before inserting or removing the battery pack.
  - Verify that the battery pack is removed and the switch is in the OFF position before inspecting, adjusting, or performing maintenance on any part of the blower.
  - Read, understand, and follow the instructions contained in the section entitled Charging Procedure.
-

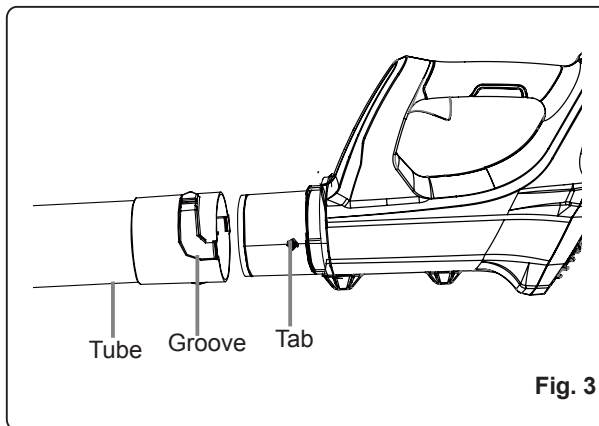
# ASSEMBLY INSTRUCTION

## BLOWER TUBE ASSEMBLY

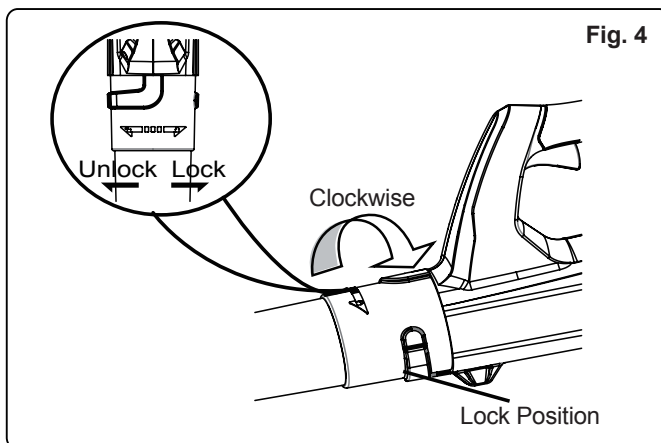
### **⚠** WARNING

To prevent accidental start-up that could cause serious personal injury, always remove the battery pack from the tool when assembling parts.

1. Align either of the grooves in the tube with the tabs on the blower housing. Push the tube into the blower housing until the tab engages the grooves. (See Figure 3.)

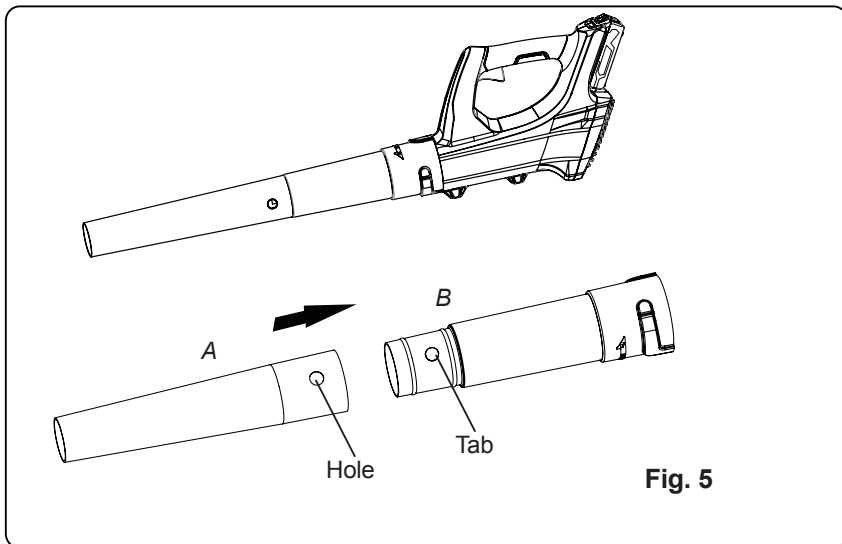


2. Turn the tube clockwise until both of the tabs slide into the lock positions. (See Figure 4.)



# ASSEMBLY INSTRUCTION

---



3. To install Tube A on to tube B align the tab on Tube B with the hole on Tube A. Once aligned slide tube A on to B until secured in to place.(See *Figure 5*.)

# OPERATION

---

## **W A R N I N G**

Do not allow familiarity with this product to make you careless. Remember that a careless fraction of a second is sufficient to inflict serious injury.

---

## **W A R N I N G**

Always wear eye protection with side shields marked to comply with ANSI Z87.1, along with hearing protection. Failure to do so could result in objects being thrown into your eyes and other possible serious injuries.

---

## **W A R N I N G**

Do not use any attachments or accessories not recommended by the manufacturer of this product. The use of attachments or accessories not recommended can result in serious personal injury. Before each use, inspect the entire product for damaged, missing, or loose parts, such as screws, nuts, bolts, caps, etc. Tighten securely all fasteners and caps and do not operate this product until all missing or damaged parts are replaced.

---

## **APPLICATION**

You may use this product for the purposes listed below:

- Clearing hard surfaces such as driveways and walkways.
- Keeping decks and driveways free from leaves and pine needles.

## **CHARGE BEFORE FIRST USE.**

---

## **W A R N I N G**

Always remove battery pack from the product when you are assembling parts, making adjustments, cleaning, or when not in use. Removing battery pack will prevent accidental starting that could cause serious personal injury.

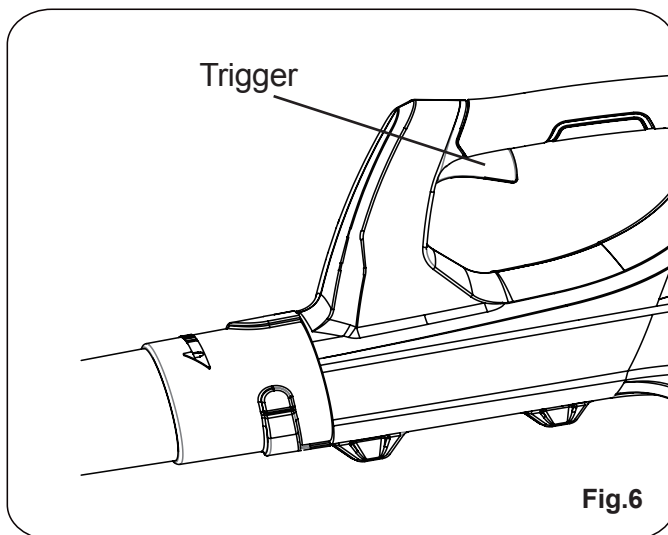
---

# OPERATION

---

## STARTING/STOPPING THE BLOWER (Fig.6)

- Ensure that the battery is installed in the blower.
- Squeeze the trigger to start the blower.
- Release the trigger to stop.



## OPERATING THE BLOWER

- To keep from scattering debris, blow around the outer edges of a debris pile. Never blow directly into the center of a pile.
- To reduce sound levels, limit the number of pieces of equipment used at any one time.
- Use rakes and brooms to loosen debris before blowing. In dusty conditions, slightly dampen surfaces when water is available.
- Conserve water by using power blowers instead of hoses for many lawn and garden applications, including areas such as gutters, screens, patios, grills, porches, and gardens.
- Watch out for children, pets, open windows, or freshly washed cars, and blow debris safely away.
- After using blowers or other equipment, clean up. Dispose of debris properly.

# MAINTENANCE

## **⚠ WARNING**

In order to avoid personal injury and the risk of fire and electric shock, remove the battery pack before adjusting, inspecting, or cleaning the blower.

## **CLEANING**

Remove the battery pack.

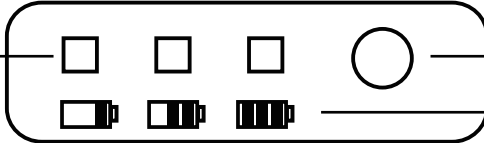
1. Brush or blow dust and debris out of the air vents using compressed air or a vacuum. Keep the air vents free of obstructions, sawdust, and wood chips. Do not spray, wash, or immerse the air vents in water.
2. Wipe off the housing and the plastic components using a moist, soft cloth. Do not use strong solvents or detergents on the plastic housing or plastic components. Certain household cleaners may cause damage, and may cause a shock hazard.

## **BATTERY PACK**

- Store the battery pack fully charged.
- Once the charging light turns green, remove the battery from the charger and disconnect the charger from the outlet.
- Do not store the battery pack on the tool.
- After charging, the battery pack may be stored in the charger, as long as the charger is not plugged in.

## **CHECKING BATTERY CAPACITY**

Press the battery capacity indicator (BCI) button. The lights will illuminate according to the batteries capacity level. See chart below:



Lights	Capacity
3 Green Lights	The battery is at 80-100% capacity
2 Green Lights	The battery is at 50-80% capacity
1 Green Light	The battery is at 20-50% capacity
Lights go out	The battery is under 10% capacity and requires charging immediately

# MAINTENANCE

## BATTERY CHARGER

### CHARGING PROCEDURE

**NOTE:** The battery is not shipped fully charged. It is recommended to fully charge before first use to ensure that maximum run time can be achieved. This lithium-ion battery will not develop a memory and may be charged at any time. A fully discharged battery pack will require approximately 90 minutes to fully charge from a discharged state.

1. Plug the charger into an AC power outlet.
  2. Insert the battery pack (1) into the charger (2).
- This is a diagnostic charger. The Charger LED Lights (3) will illuminate in specific order to communicate the current battery status. They are as follows:

CARGA PROCEDIMIENTO—NE RETIREZ PAS CETTE ÉTIQUETTE		CHARGING PROCEDURE—DO NOT REMOVE	
LA BATERÍA SE ESTÁ CARGANDO	● ROJO	● ROJO	● RED
COMPLETAMENTE CARGADA	● ROJO	● VERDE	● GREEN
LA BATERÍA ESTÁ MUY CALIENTE (QUITELA POR APROXIMADAMENTE 30 MINUTOS PARA PERMITIR QUE SE ENFRIE)	● ROJO	● ANARANJADO	● ORANGE
NO HAY BATERÍA PRESENTE	● ROJO	○ EXTINGUIR	○ OFF
BATERÍA DEFECTUOSA (REFIÉRASE A MANUAL DE DUEÑOS)	● ROJO	● PARRPADANDO	● RED BLINKING
<b>MÉTHODE DE RECHARGE—NE PAS RETIRER</b>			
SI U ELLE EST EN CHARGE BIEN CHARGÉE	● ROUGE	● ROUGE	● ROUGE
LA PILE EST TROP CHAUDE (ENLEVER ET PERMETTRE DE REFRIGÉRER)	● ROUGE	● VERT	● GREEN
LA PILE N'A PAS DÉTÊTÉ (LA PILE DÉFECTUEUSE SE RÉFÉRER AU MANUEL DU PROPRIÉTAIRE)	● ROUGE	● ORANGE	● ORANGE
	● ROUGE	○ ÉTEINDRE	○ OFF
	● ROUGE	● CLIGNET ROUGE	● RED BLINKING

**NOTE:** When the red indicator flickers, pull out the battery from the charger and insert again within 2 hours. If the indicator shows charging, that means the battery is good. After 2 hours, please pull out the battery and also pull out the AC power plug of the charger for 1 minute, and then insert the AC power plug and the battery again. If the indicator shows charging, that means the battery is good. If not, the battery needs to be changed.



# MAINTENANCE

---

## CHECKING THE CHARGE

If the battery pack does not charge properly:

- Check the current at the power outlet with another tool. Make sure that the outlet is not turned off.
- Check that the charger contacts have not been shorted by debris or foreign material.
- If the surrounding air temperature is not normal room temperature, move the charger and battery pack to a location where the temperature is between 45°F and 104°F.

---

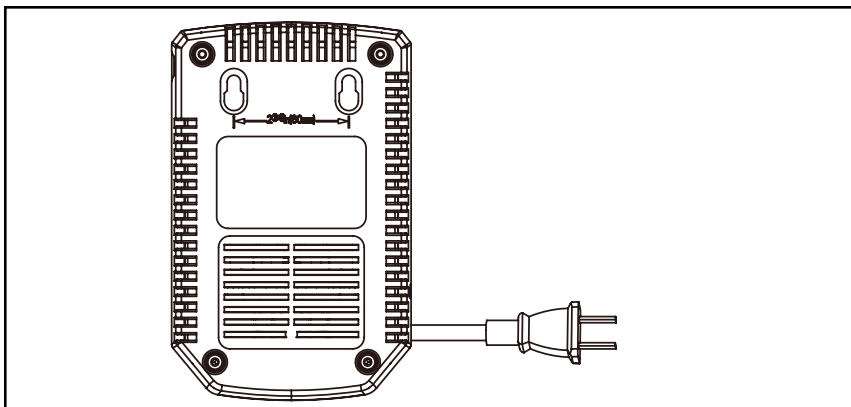
## **⚠** WARNING

If the battery is inserted into the charger when warm or hot, the CHARGING LED indicator light on the charger may switch on and illuminate ORANGE. If this occurs allow the battery to cool outside of the charger from approximately 30 minutes.

---

## CHARGER MOUNTING

1. This charger can be installed hanging on a wall using two screws (not supplied)
2. Locate the placement for the charger to be wall mounted.
3. If fastening to wood studs use 2 wood screws.
4. Drill two holes 2 3/8" (6 cm) on center ensuring they are level.
5. If fastening to drywall use wall anchors and screws to secure the charger to the wall.
6. This power unit is intended to be correctly orientated in a vertical or floor mount position.



**NOTE :** If the battery and the charger won't be used for a long time, please remove the battery from the charger and pull out the AC power plug.

# ENVIRONMENTALLY SAFE BATTERY DISPOSAL

---



The batteries used in this blower's battery pack contain the following toxic and corrosive material: LITHIUM-ION.

---

## **⚠ WARNING**

All toxic materials must be disposed of in a specified manner to prevent contamination of the environment. Before disposing of damaged or worn out Lithium-Ion battery packs, contact your local waste disposal agency, or the local Environmental Protection Agency for information and specific instructions. Take the batteries to a local recycling and/or disposal centre, certified for lithium-ion disposal.

---

## **⚠ WARNING**

If the battery pack cracks or breaks, with or without leaks, do not recharge it and do not use. Dispose of it and replace with a new battery pack. **DO NOT ATTEMPT TO REPAIR IT!** To avoid injury and risk of fire, explosion, or electric shock, and to avoid damage to the environment:

- Cover the battery's terminals with heavy-duty adhesive tape.
  - DO NOT attempt to remove or destroy any of the battery pack components.
  - DO NOT attempt to open the battery pack.
  - If a leak develops, the released electrolytes are corrosive and toxic. DO NOT get the solution in the eyes or on skin, and do not swallow it.
  - DO NOT place these batteries in your regular household trash.
  - DO NOT incinerate.
  - DO NOT place them where they will become part of any waste landfill or municipal solid waste stream.
  - Take them to a certified recycling or disposal centre.
-

# TROUBLESHOOTING

---

<b>PROBLEM</b>	<b>POSSIBLE CAUSE</b>	<b>SOLUTION</b>
Motor fails to start when switch trigger is depressed.	Battery is not secure.  Battery is not charged.	To secure the battery pack, make sure the latches on the top of the battery pack snap into place.  Charge the battery pack according to the instructions included with your model.
Unit will not start.	Defective power switch.	Return to place of purchase or return the unit to a repair center.
Unit will not blow.	Blocked tube.	Clear the blockage.

# LIMITED FOUR-YEAR WARRANTY

---



GREENWORKS™ hereby warrants this product, to the original purchaser with **proof of purchase**, for a period of four (4) years against defects in materials, parts or workmanship. GREENWORKS™, at its own discretion will repair or replace any and all parts found to be defective, through normal use, free of charge to the customer. This warranty is valid only for units which have been used for personal use that have not been hired or rented for industrial/commercial use, and that have been maintained in accordance with the instructions in the owners' manual supplied with the product from new.

Battery carries a two (2) year warranty against defects in workmanship and materials. Batteries must be charged in accordance with the operator's manuals directions and regulations in order to be valid.

## ITEMS NOT COVERED BY WARRANTY:

1. Any part that has become inoperative due to misuse, commercial use, abuse, neglect, accident, improper maintenance, or alteration; or
2. The unit, if it has not been operated and/or maintained in accordance with the owner's manual; or
3. Normal wear, except as noted below;
4. Routine maintenance items such as lubricants, blade sharpening;
5. Normal deterioration of the exterior finish due to use or exposure.

## GREENWORKS HELPLINE (1 888 90WORKS):

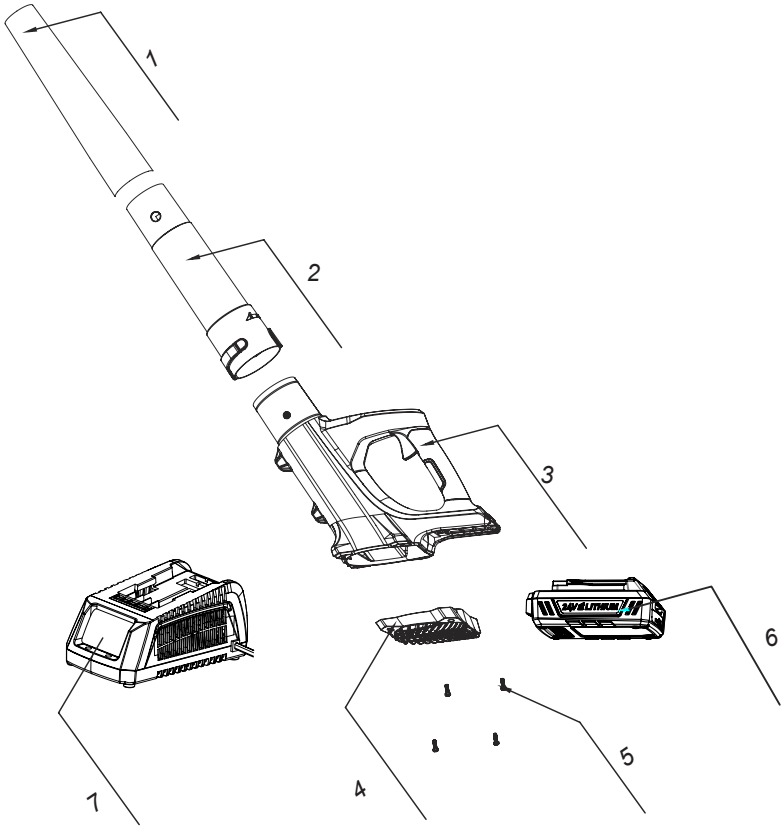
Warranty service is available by calling our toll-free helpline. at **1-888-909-6757 (1-888-90WORKS)**.

## TRANSPORTATION CHARGES:

Transportation charges for the movement of any power equipment unit or attachment are the responsibility of the purchaser. It is the purchaser's responsibility to pay transportation charges for any part submitted for replacement under this warranty unless such return is requested in writing by GREENWORKS.

# EXPLODED VIEW

---



# PARTS LIST

---

ITEM NO.	PART NO.	DESCRIPTION	QTY
1	341081805	Front Blower Tube	1
2	341071805	Rear Blower Tube	1
3	311021806	Blower Assembly	1
4	341031805	Rear Vent Housing	1
5	32201572	Rear Vent Screws	4
6	31108828	Battery	1
7	311011252	Charger	1



Greenworks Tools  
PO Box 1238  
Mooresville, NC 28115

**TOLL-FREE HELPLINE: 1-888-90WORKS** (888.909.6757)

Rev: 01 (11-11-16)